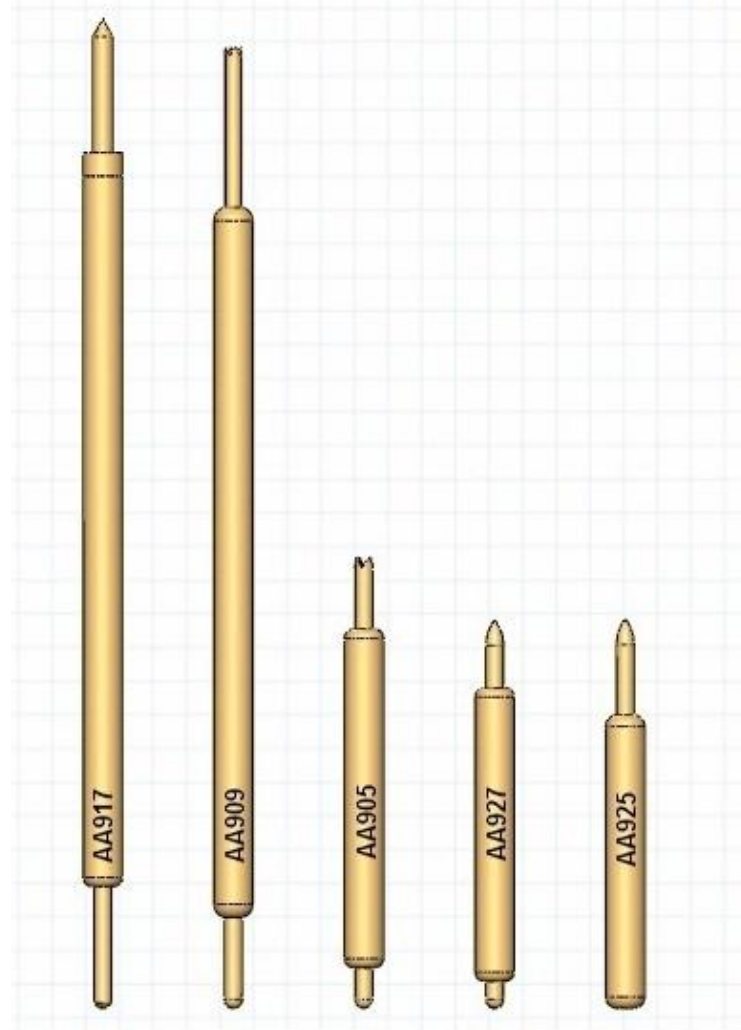


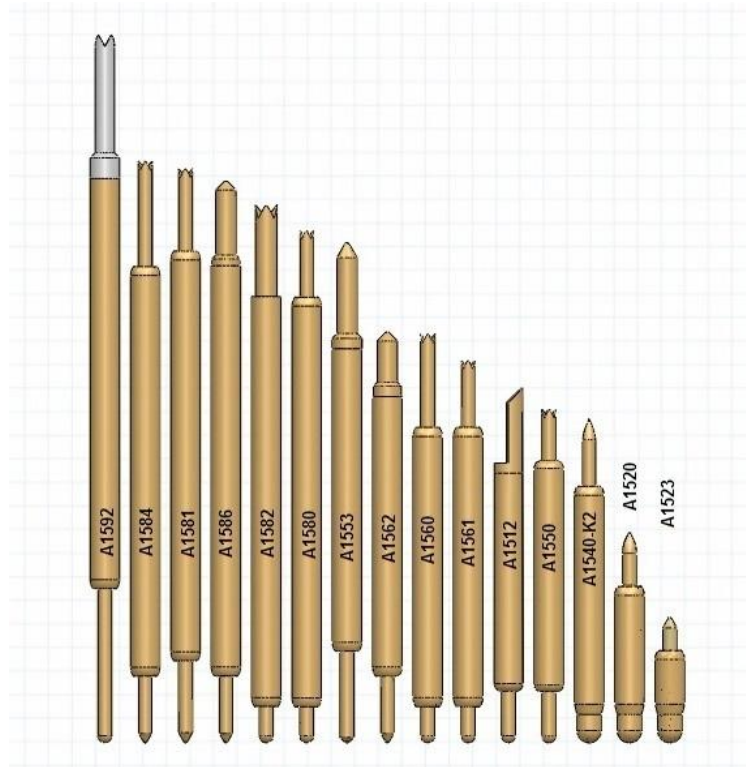
Semiconductor Contacts

AA Series - 0.3mm (.0118) Pitch



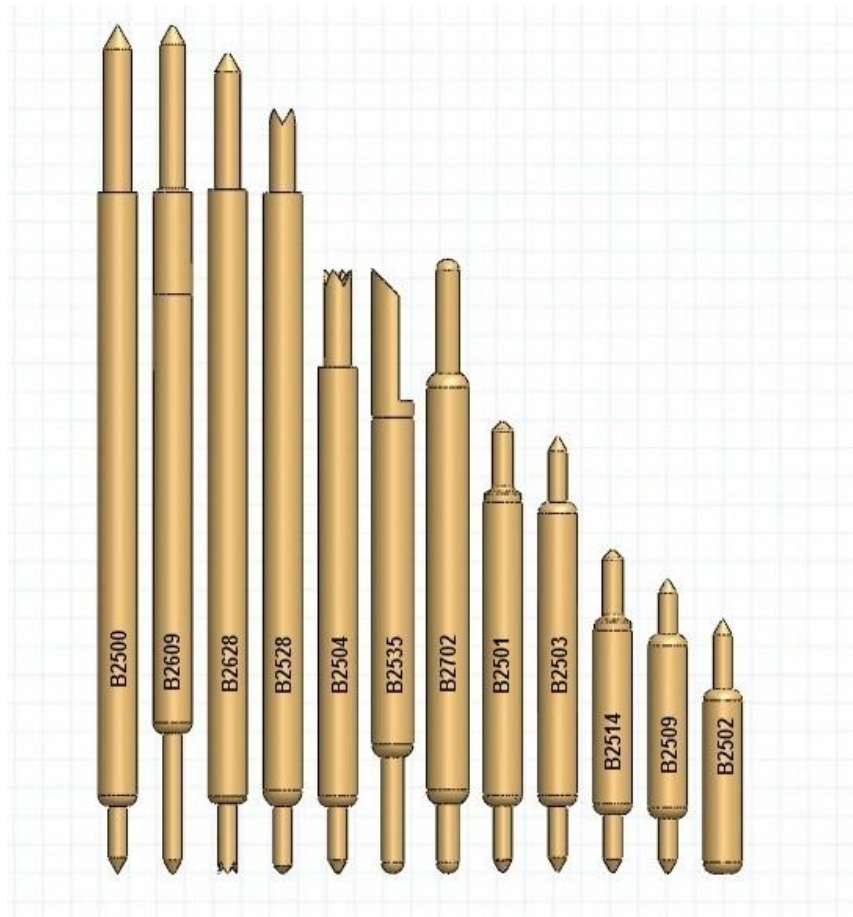
AA Series 0.3mm (.0118) pitch									
Probe Series	Initial Length inch/mm		Operating Position inch/mm		Operating Spring Force	Self Inductance	Insertion Loss < -1db to	Typical Contact Resistance	Maximum Current
AA917	.219	5.57	.199	5.05	18, 20 grams	1.0 nH	37.1 GHz	100 mOhms	1.32 A
AA909	.215	5.45	.193	4.90	12, 17 grams	1.54 nH	12.0 GHz	72 mOhms	0.95 A
AA905	.100	2.54	.086	2.18	20 grams	0.54 nH	>40 GHz	110 mOhms	1.43 A
AA927	CALL		CALL		18 grams	~	~	~	~
AA925	CALL		CALL		18 grams	~	~	65 mOhms	1.1 A

A Series - 0.4mm (.0157) Pitch



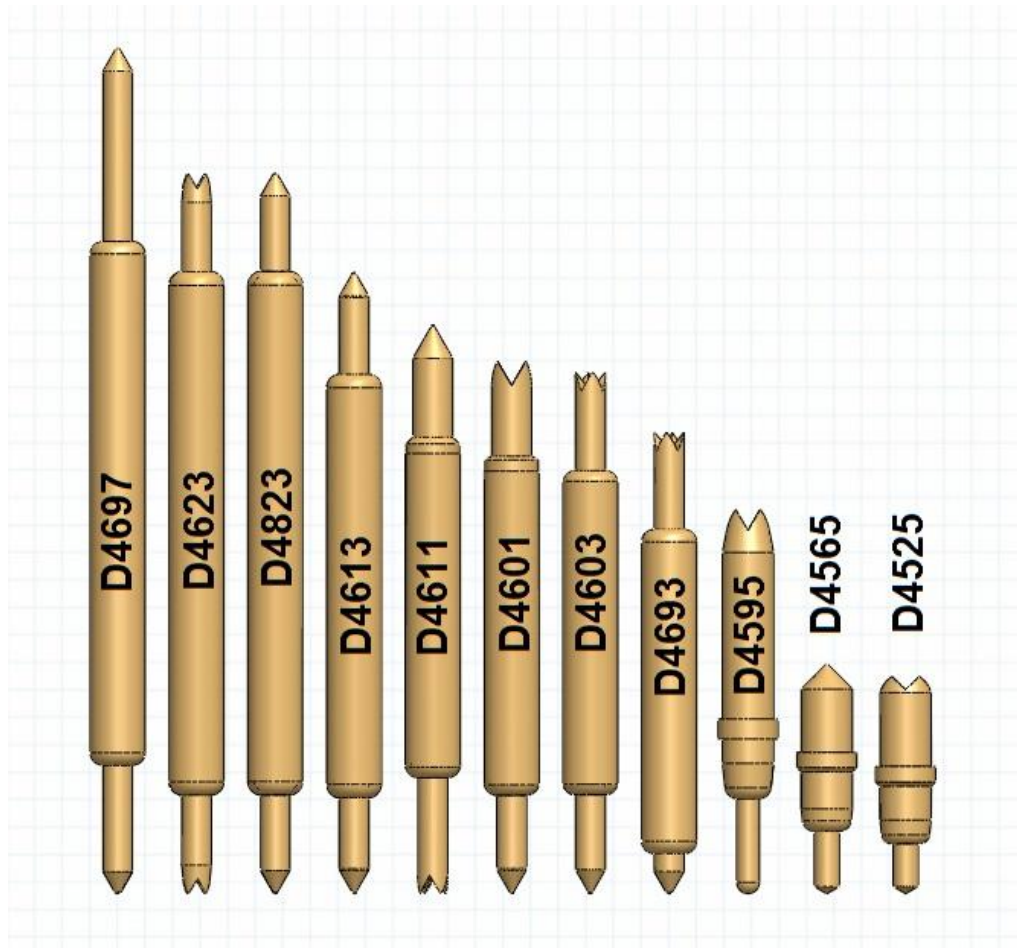
A Series 0.4mm (.0157) pitch									
Probe Series	Initial Length inch/mm		Operating Position inch/mm		Operating Spring Force	Self Inductance	Insertion Loss < -1db to	Typical Contact Resistance	Maximum Current
A1592	.276"	7.01	.242"	6.15	30 g	-	-	-	-
A1584	.227"	5.76	.199"	5.05	30 g	-	-	-	-
A1581	.224"	5.69	.192"	4.88	31 g	-	-	-	-
A1586	.219"	5.56	.199"	5.06	19, 20g	-	-	-	1.68 A
A1582	.210"	5.33	.184"	4.67	16, 30g	0.93 nH	9.6 GHz	100 mOhms	1.4 A
A1580	.210"	5.33	.192"	4.88	16, 32g	1.02 nH	7.4 GHz	95 mOhms	1.55 A
A1553	.195"	4.95	.171"	4.35	20 G	-	-	-	-
A1562	.160"	4.06	.144"	3.66	14, 30g	0.80 nH	11.6 GHz	90 mOhms	1.45 A
A1560	.159"	4.04	.141"	3.58	22 g	-	-	-	-
A1561	.149"	3.78	.131"	3.33	16, 29g	0.67 nH	7.4 GHz	90 mOhms	1.65 A
A1512	.131"	3.32	.119"	3.02	18, 29g	0.66 nH	20.3 GHz	72 mOhms	2.0 A
A1550	.133"	3.30	.118"	3.00	20, 29g	0.71 nH	18.7 GHz	85 mOhms	2.0 A
A1540	.126"	3.20	.114"	2.90	22, 29g	0.42 nH	16.1 GHz	20 mOhms	4.3 A
A1520	.081"	2.05	.075"	1.90	20g	0.44 nH	24.1 GHz	60 mOhms	2.0 A
A1523	CALL		CALL		11g	-	>40 GHz	-	-

B Series – 0.5MM (.0197) Pitch



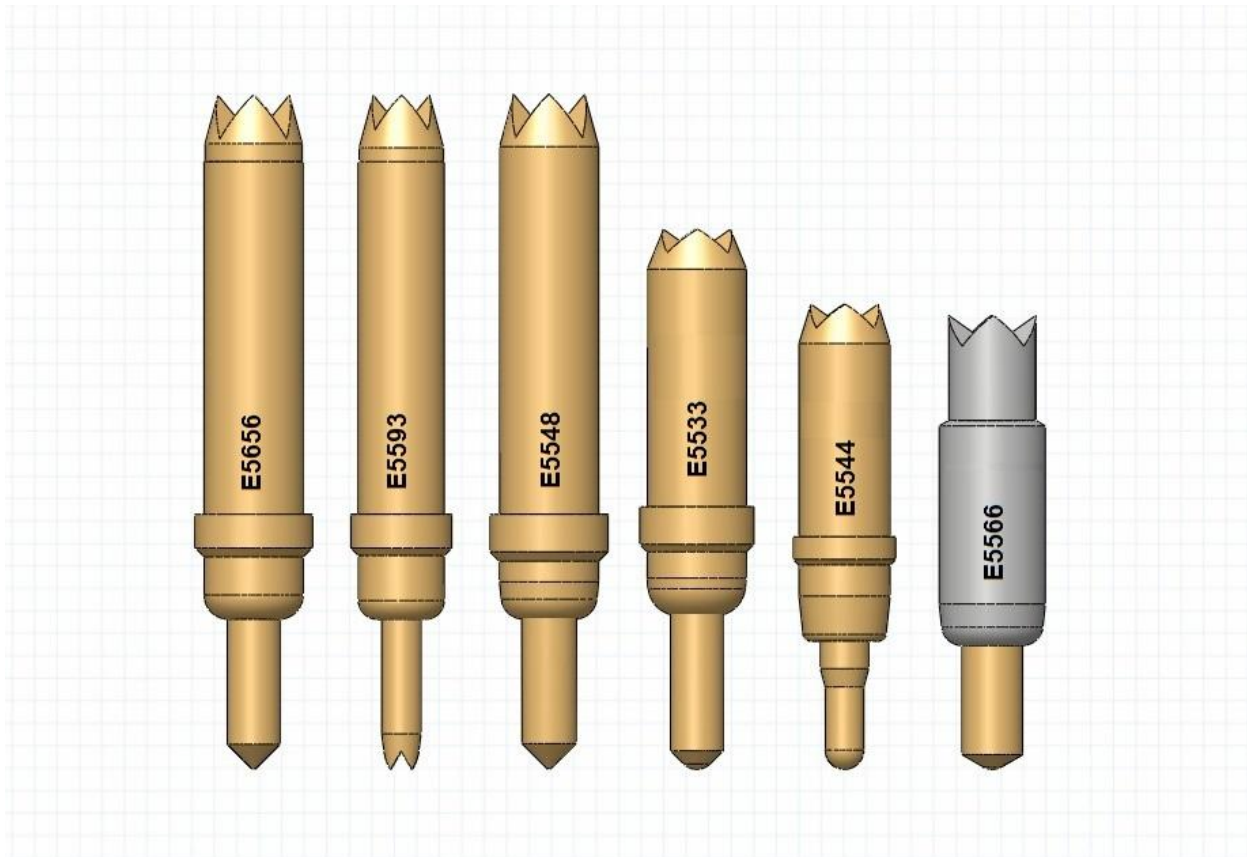
B Series 0.5mm (.0197 inch) Pitch									
Probe Series	Initial Length inch / mm		Operating Position inch / mm		Spring Force	Self Inductance	Insertion Loss <-1db to	Typical Contact Resistance	Maximum Current
B2500	.304"	7.72	.275"	6.99	28 g	1.73 nH	6.4 GHz	80 mOhms	2.6 A
B2609	.304"	7.72	.275"	6.99	24 G	-	-	-	-
B2528	.274"	6.96	.254"	6.45	28, 35 g				
B2504	.214"	5.42	.190"	4.82	24, 34 g	1.12 nH	8.8 GHz	60 mOhms	2.9 A
B2535	.217"	5.50	.199"	5.05	26, 31 g	~	~	55 mOhms	2.3 A
B2702	.224"	5.70	.199"	5.05	21 g	-	-	-	-
B2503	.157"	3.99	.142"	3.61	26, 32 g	0.71 nH	13.0 GHz	60 mOhms	1.7 A
B2501	.162"	4.11	.150"	3.81	20, 35 g	0.97 nH	11.2 GHz	50 mOhms	2.8 A
B2514	.116"	2.95	.104"	2.64	26 g	0.63 nH	12.2 GHz	90 mOhms	2.0 A
B2509	.108"	2.74	.094"	2.39	26 g	0.60 nH	13.2 GHz	90 mOhms	2.0 A
B2502	.091"	2.31	.085"	2.16	32 g	0.54 nH	17.0 GHz	30 mOhms	1.5 A

D Series – 0.8MM (.0315) Pitch



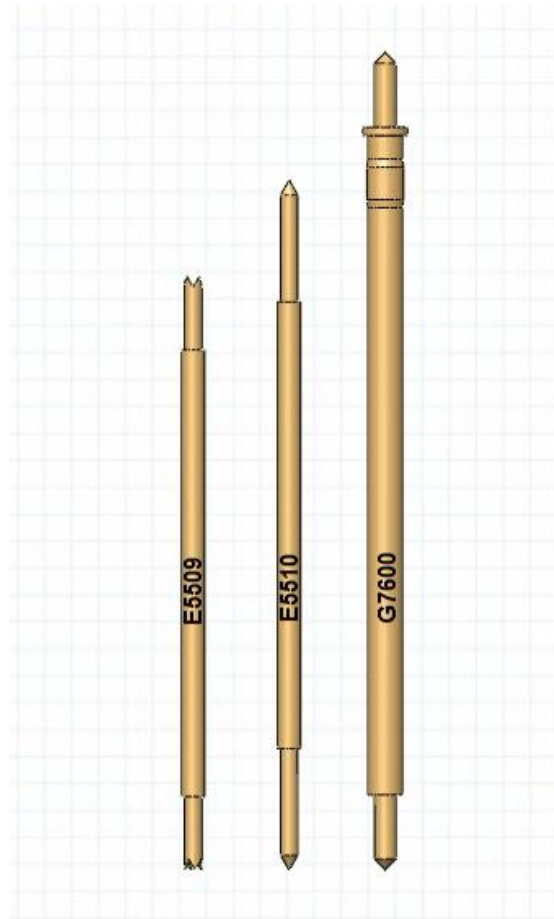
D Series 0.8mm (.0315) pitch									
Probe Series	Initial Length		Operating Position		Spring Force	Self Inductance	Insertion Loss < -1db to	Typical Contact Resistance	Maximum Current
	inch/mm	inch/mm	inch/mm	inch/mm					
D4697	.339"	8.61	.295"	7.50	32 g	2.01 nH	8.6 GHz	45 mOhms	2.6 A
D4623	.289"	7.33	.253"	6.43	34 g	1.55 nH	8.2 GHz	60 mOhms	5.4 A
D4823	.289"	7.33	.253"	6.43	28 g	-	-	-	-
D4613	.249"	6.32	.213-.216"	5.49	24, 34 g	1.25 nH	14.3 GHz	40 mOhms	2.15 A
D4601	.214"	5.43	.186"	4.72	24, 34 g	1.0 nH	12.8 GHz	50 mOhms	6.0 A
D4603	.209"	5.30	.181"	4.59	24 g	1.16 nH	12.4 GHz	70 mOhms	4.0 A
D4693	.185"	4.71	.157"	4.00	24, 34 g	0.92 nH	18.3 GHz	40 mOhms	3.0 A
D4694	.185"	4.71	.157"	4.00	23, 36 g	0.80 nH	7.8 GHz	40 mOhms	3.0 A
D4595	.154"	3.91	.128"	3.25	38 g	0.82 nH	19.5 GHz	30 mOhms	3.0 A
D4565	.092"	2.33	.071"	1.80	30 g	0.5 nH	17.0 GHz	25 mOhms	6.0 A
D4525	.087"	2.21	.071"	1.80	30 g	0.48 nH	38.5 GHz	20 mOhms	6.0 A

E Series – 1.0MM (.0394) Pitch



E Series 1.0mm (.0394) pitch									
Probe Series	Initial Length		Operating Position		Operating Spring Force	Self Inductance	Insertion Loss < -1db to	Typical Contact Resistance	Maximum Current
	Inch/mm		inch/mm						
E5656	.180"	4.57	.156"	3.96	28, 36 g	0.90 nH	13.9 GHz	20 mOhms	6.0 A
E5593					27 g	1.14 nH	31.5 GHz	20 mOhms	6.0 A
E5548					20, 39 g	1.04 nH	14.5 GHz	25 mOhms	7.0 A
E5533	.144"	3.66	.119"	3.02	25, 40 g	0.72 nH	25.3 GHz	20 mOhms	8.5 A
E5544	.124"	3.15	.098"	2.49	25 g	0.70 nH	>40 GHz	30 mOhms	2.7 A
E5566	.121"	3.08	.098"	2.49	24, 35 g	0.49 nH	>40 GHz	20 mOhms	4.3 A

Interface Contacts



Interface Contacts						
Probe Series	Initial Length inch/mm		Operating Position inch/mm		Operating Spring Force	
E5509	.730"	18.54	.680"	17.27	100g	3.5oz
E5510	.848"	21.54	.788"	20.00	30g	1.0oz
G7601	.954"	24.23	.850"	21.59	25g	0.9oz

Signal Integrity, Inc.

104 County Street, Ste. 210, Attleboro, MA 02703

 Tel: 1-508-226-6480 Fax: 1-508-226-6488 Internet: <http://www.signalin.com/>

Specifications are subject to change without notice.