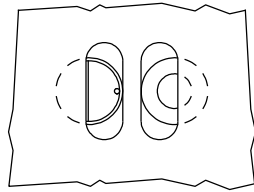


FIGURE 4  
 TOP VIEW  
 WITH ONE  
 CONTACT  
 REMOVED



.0006  
 [0.02]  
 MAX FLAT  
 OR RADIUS

±.0006  
 .0072 [0.183]  
 BLADE THICKNESS

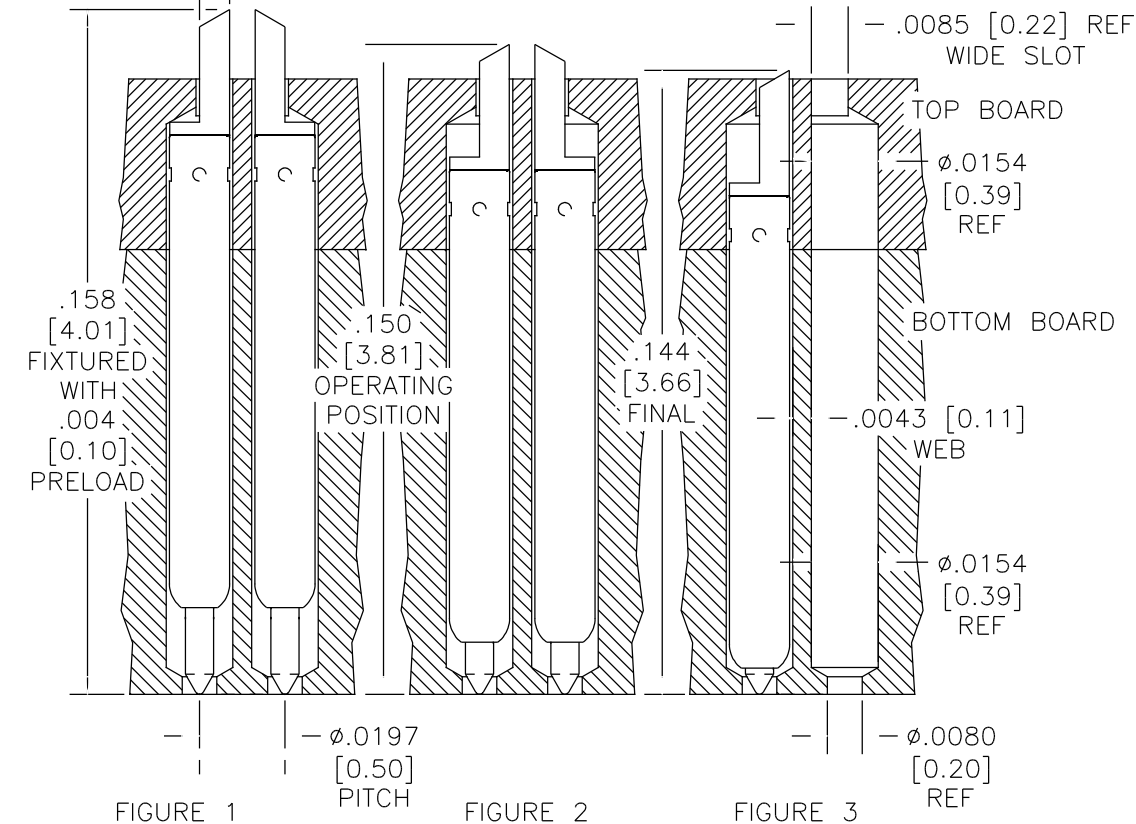


FIGURE 5 SCALE DOUBLED

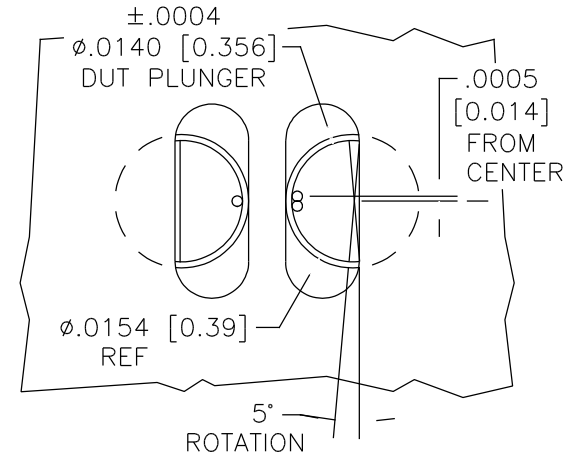


FIGURE 6  
 ISOMETRIC VIEW  
 OF DUT PLUNGER  
 SCALE DOUBLED

